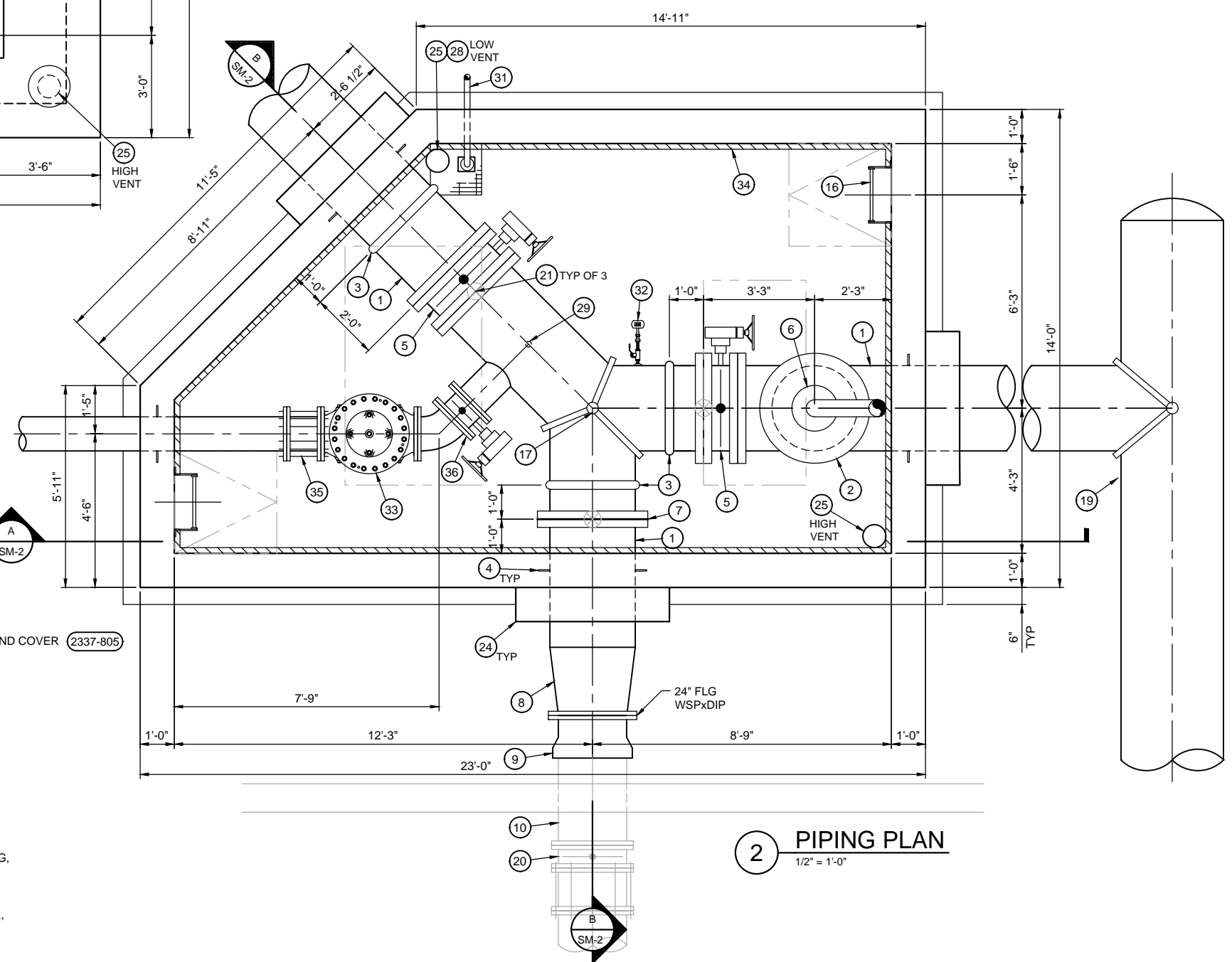


1 ROOF PLAN
1/2" = 1'-0"



2 PIPING PLAN
1/2" = 1'-0"

MATERIAL SCHEDULE

- | | | | |
|----|---|----|---|
| 1 | 30" WSP SPECIAL W/ OUTLETS, t = 3/8" | 18 | 8" CONCRETE CURB (0330-080) |
| 2 | 30" ACCESS MANWAY (3305-940) SIM | 19 | WRAPPER OUTLET (3305-939) |
| 3 | GROOVED END COUPLING, MATCH PIPE DIAMETER | 20 | EXST 24" BFV |
| 4 | SEEP RING (3305-916) FOR ALL PIPE WALL PENETRATIONS | 21 | PIPE SUPPORT (4005-500) TYP OF 4 |
| 5 | 30" BUTTERFLY VALVE (V504) W/ ELECTRIC OPERATOR | 22 | NOT USED |
| 6 | 6" COMBINATION AIR VALVE TYPE V746, (4027-120) SUPPLIED BY JWCD | 23 | NOT USED |
| 7 | 30" INSULATING FLANGE | 24 | PIPE COLLAR (0330-021) TYP OF 3 |
| 8 | 30" x 24" REDUCER | 25 | 8" VENT PIPE (2331-448) |
| 9 | 24" AWWA C219 MECHANICAL JOINT | 26 | 6" GOOSENECK AIR VALVE VENT ASSEMBLY AND COVER (2337-805) |
| 10 | EXST 24" DUCTILE IRON PIPE | 27 | VENT PIPE ROOF PENETRATION (2337-806) |
| 11 | NOT USED | 28 | EXHAUST FAN (2337-810) |
| 12 | NOT USED | 29 | 2" DRAIN (4027-195) |
| 13 | 8" COLLARED OUTLET (3305-937) | 30 | WALL PIPE SUPPORT (4005-505) |
| 14 | 36" x 66" SIDEWALK DOOR (xxxx-xxx) | 31 | SUMP PUMP (0330-085) (2230-170) (3311-850) |
| 15 | 36" SQUARE SIDEWALK DOOR AND EXTERIOR LADDER (0551-143) | 32 | PRESSURE TRANSDUCER (4090-690) |
| 16 | INTERIOR LADDER (0551-101) | 33 | 12" GLOBE VALVE, TYPE V714, SUPPLIED BY JWCD |
| 17 | 30" x 30" WYE, 90° AND 45°, W/ FLG AND GROOVED ENDS | 34 | 2" THICK RIGID INSULATION ON CEILING AND WALLS 4 FEET DOWN FROM INSIDE OF CEILING, OMIT BEHIND LADDER |
| | | 35 | 12" RESTRAINED DISMANTLING JOINT |
| | | 36 | 12" BUTTERFLY VALVE W/ MANUAL OPERATOR, TYPE V504, SUPPLIED BY JWCD |

PRELIMINARY
NOT FOR CONSTRUCTION

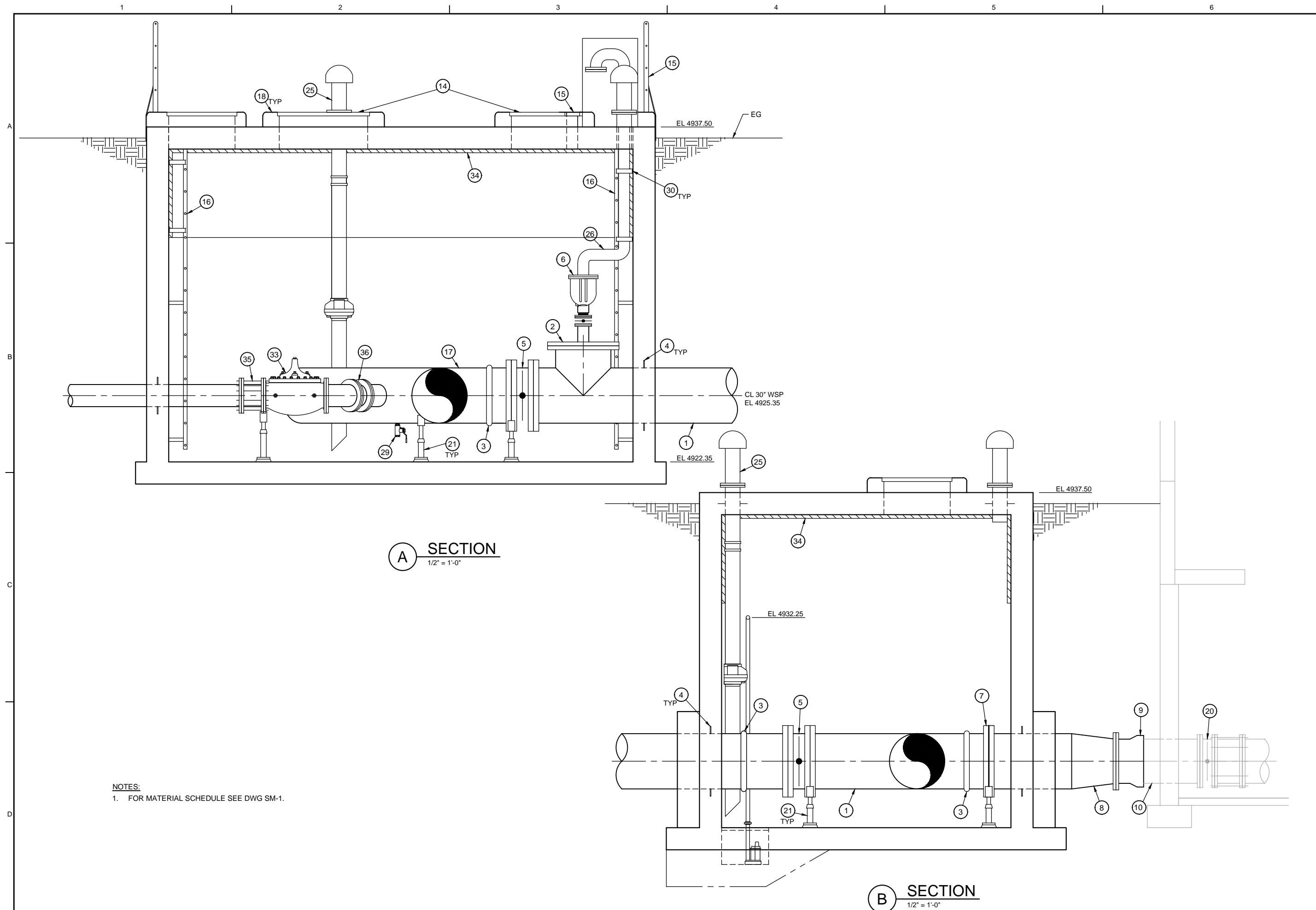
NO.	DATE	DR	CHK	REVISION	APVD	BY	APVD
		R WILLEITNER	C HOGGARD		A MURDOCK		R WILLEITNER

JORDAN VALLEY WATER CONSERVANCY DISTRICT
10200 SOUTH PIPELINE PROJECT

JACOBS
STRUCTURAL / MECHANICAL
5700 WEST CONNECTION VAULT
ROOF AND PIPING PLANS

VERIFY SCALE	
BAR IS ONE INCH ON ORIGINAL DRAWING.	
DATE	MAY 2019
PROJ	WEXE9600
DWG	SM-1
SHEET	of

60% DESIGN
REUSE OF DOCUMENTS: THIS DOCUMENT, AND THE IDEAS AND DESIGNS INCORPORATED HEREIN, AS AN INSTRUMENT OF PROFESSIONAL SERVICE, IS THE PROPERTY OF JACOBS AND IS NOT TO BE USED, IN WHOLE OR IN PART, FOR ANY OTHER PROJECT WITHOUT THE WRITTEN AUTHORIZATION OF JACOBS. © JACOBS 2019. ALL RIGHTS RESERVED.



A SECTION
1/2" = 1'-0"

B SECTION
1/2" = 1'-0"

NOTES:
1. FOR MATERIAL SCHEDULE SEE DWG SM-1.

PRELIMINARY
NOT FOR CONSTRUCTION

NO.	DATE	DR	CHK	REVISION	BY
		R WILLEITNER	A MURDOCK	APVD	R WILLEITNER

JACOBS
STRUCTURAL / MECHANICAL
5700 WEST CONNECTION VAULT SECTIONS

JORDAN VALLEY WATER CONSERVANCY DISTRICT
10200 SOUTH PIPELINE PROJECT

REUSE OF DOCUMENTS: THIS DOCUMENT, AND THE IDEAS AND DESIGNS INCORPORATED HEREIN, AS AN INSTRUMENT OF PROFESSIONAL SERVICE, IS THE PROPERTY OF JACOBS AND IS NOT TO BE USED, IN WHOLE OR IN PART, FOR ANY OTHER PROJECT WITHOUT THE WRITTEN AUTHORIZATION OF JACOBS.

© JACOBS 2019. ALL RIGHTS RESERVED.

VERIFY SCALE	BAR IS ONE INCH ON ORIGINAL DRAWING.
DATE	MAY 2019
PROJ	WEXE9600
DWG	SM-2
SHEET	of

60% DESIGN